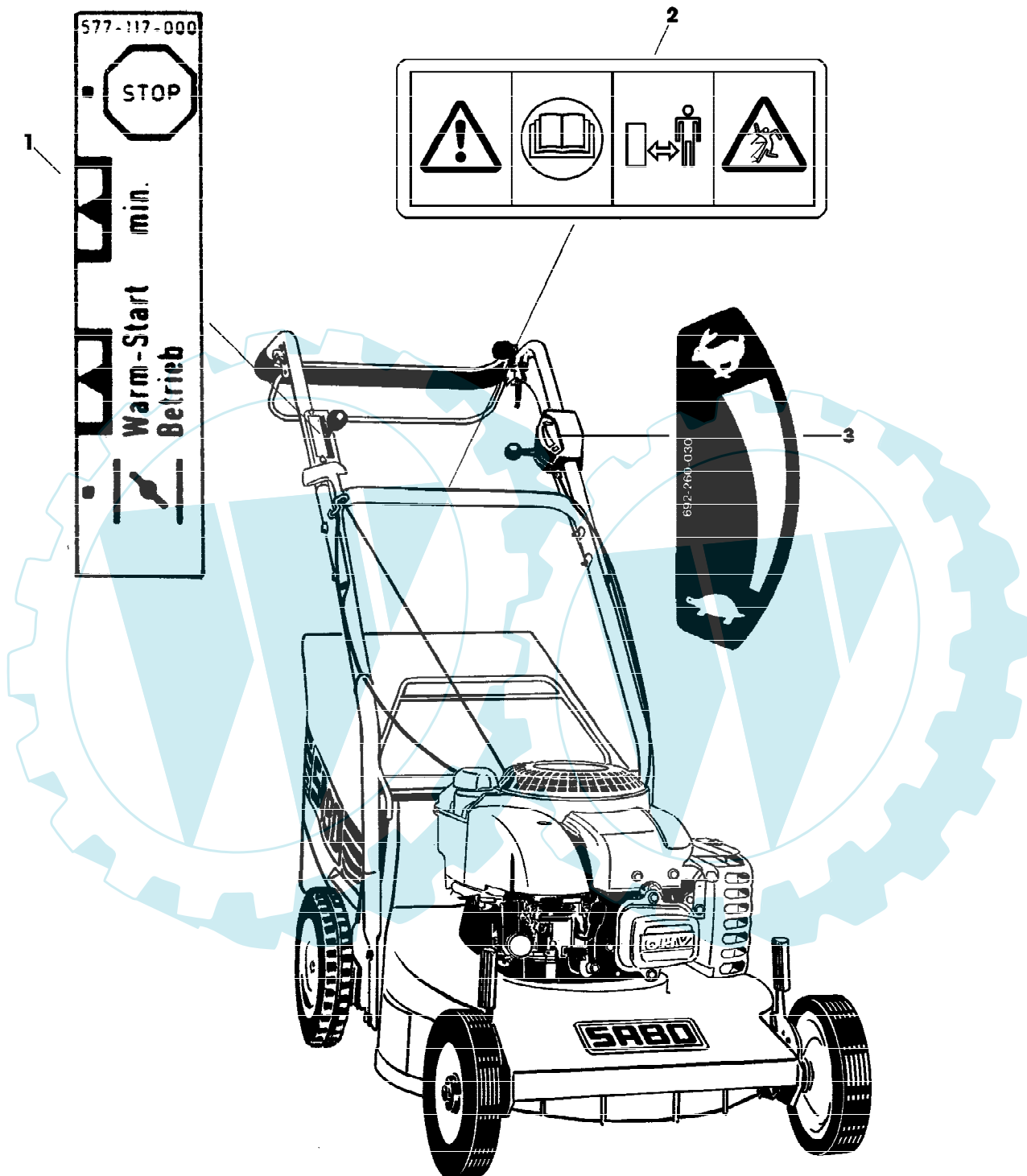


52-4 PH BC A EDV-NR.SA207 AB 000196
AUFKLEBER



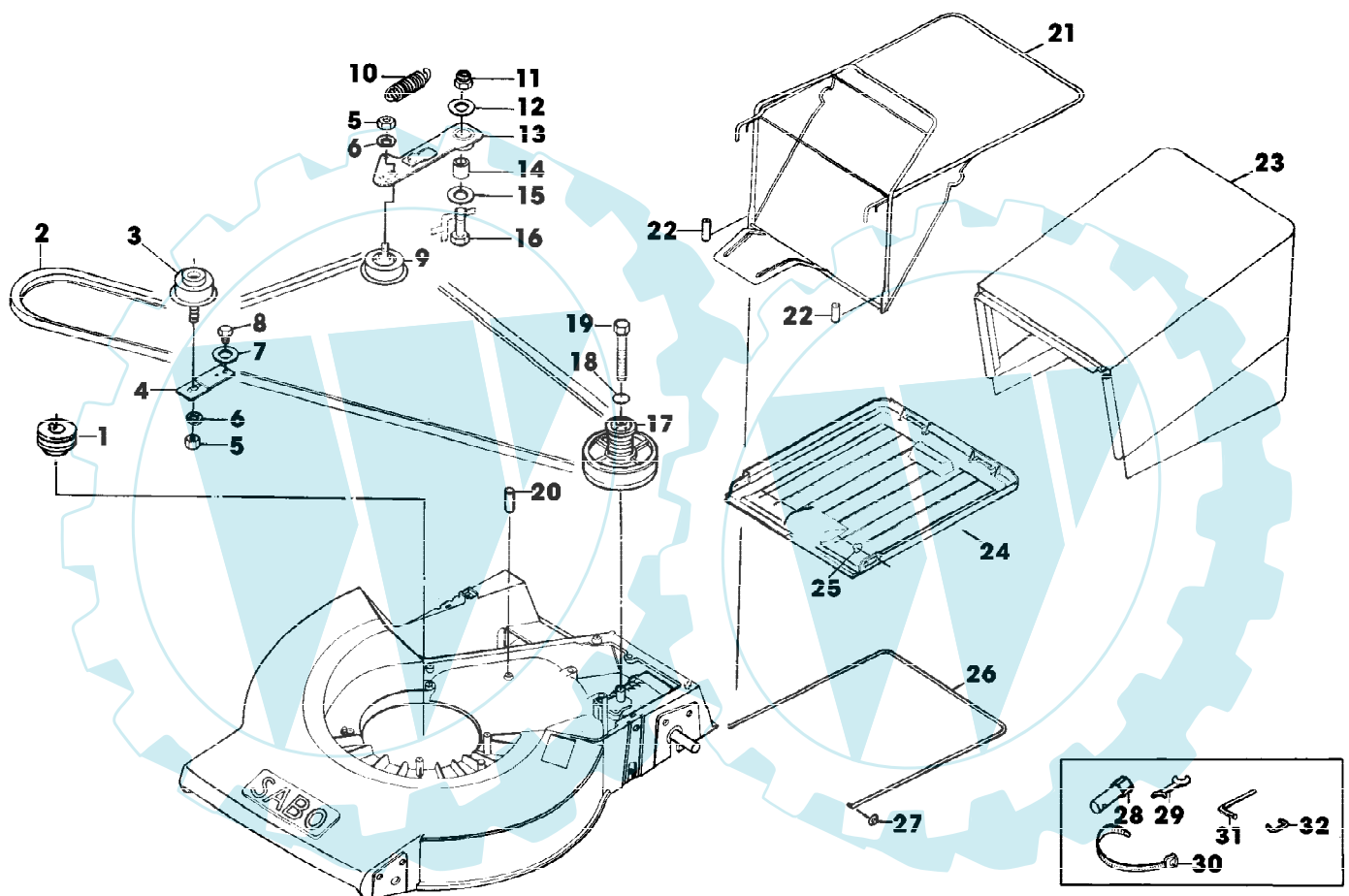
SA000946

52-4 PH BC A EDV-NR.SA207 AB 000196
AUFKLEBER

| Gruppennummer | Artikelnummer | Menge | Description |
|---------------|---------------|-------|-------------|
| 1 | SA11254 | 1 | AUFKLEBER |
| 2 | SA34669 | 1 | AUFKLEBER |
| 3 | SA33217 | 1 | AUFKLEBER |



52-4 PH BC A EDV-NR.SA207 AB 000196
FANGSACK, ANTRIEB



SA000942

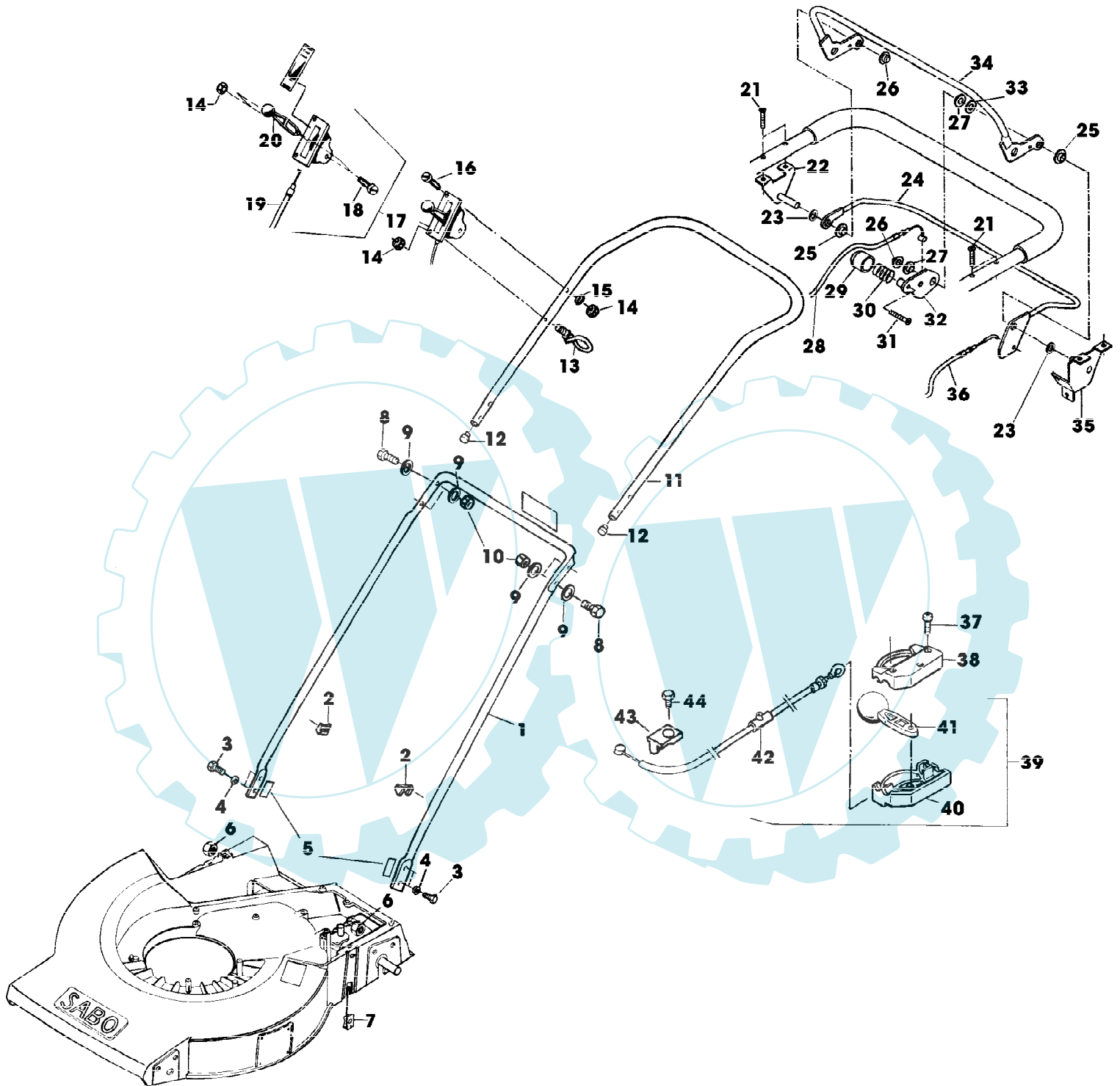
52-4 PH BC A EDV-NR.SA207 AB 000196
FANGSACK, ANTRIEB

Page 4 of 11

| Reihennummer | Artikelnummer | Menge | Description |
|--------------|---------------|-------|------------------------------|
| 1 | SA35597 | 1 | RIEMENSCHLEIBE |
| 2 | SA29741 | 1 | KEILRIEMEN |
| 3 | SA30117 | 1 | SPANNROLLE |
| 4 | SA29725 | 1 | HALTER * |
| 5 | SA15413 | 2 | MUTTER M8 |
| 6 | SA15233 | 2 | FEDERRING A8 |
| 7 | SA15229 | 1 | UNTERLEGSCHLEIBE A5,3 |
| 8 | SA29854 | 1 | SCHRAUBE * M5X12 |
| 9 | SA16053 | 1 | SPANNROLLE |
| 10 | SA29794 | 1 | FEDER |
| 11 | SA11998 | 1 | SICHERUNGSMUTTER (A) M8 |
| 12 | SA15207 | 1 | UNTERLEGSCHLEIBE A15 |
| 13 | SA29771 | 1 | ARM |
| 14 | SA17726 | 1 | BUECHSE |
| 15 | SA15213 | 1 | UNTERLEGSCHLEIBE (A) A8,4 |
| 16 | SA15334 | 1 | SECHSKANTSCHRAUBE M8X30 |
| 17 | SA30451 | 1 | RIEMENSCHLEIBE ASSY |
| 18 | SA15202 | 1 | UNTERLEGSCHLEIBE 6,4 |
| 19 | SA15304 | 1 | SECHSKANTSCHRAUBE M6X60 |
| 20 | SA15755 | 1 | SPANNSTIFT 6X30 |
| 21 | SA29764 | 1 | RAHMEN |
| 22 | SA16169 | 2 | DICHTSTREIFEN |
| 23 | SA29746 | 1 | GRASFANGBEHAELTER |
| 24 | SA29777 | 1 | BODEN |
| 25 | SA18796 | 2 | FEDERMUTTER |
| 26 | SA29729 | 1 | BUEGEL |
| 27 | SA29724 | 4 | FEDERKLEMME |
| 28 | SA36090 | 1 | SCHLUESSEL SW 16 |
| 29 | SA18311 | 1 | MAUL-RINGSCHLUESSEL SW 10/13 |
| 30 | SA12505 | 4 | KABELBINDER |
| 31 | SA18332 | 1 | MAUL-RINGSCHLUESSEL 5/16 |
| 32 | SA11119 | 1 | OESE |

(A) WERDEN NUR NOCH IN PACKMENGEN
GELIEFERT

52-4 PH BC A EDV-NR.SA207 AB 000196
FUEHRUNGSHOLM, STARTER, SCHALTUNG



SA000937

52-4 PH BC A EDV-NR.SA207 AB 000196
 FUEHRUNGSHOLM, STARTER, SCHALTUNG

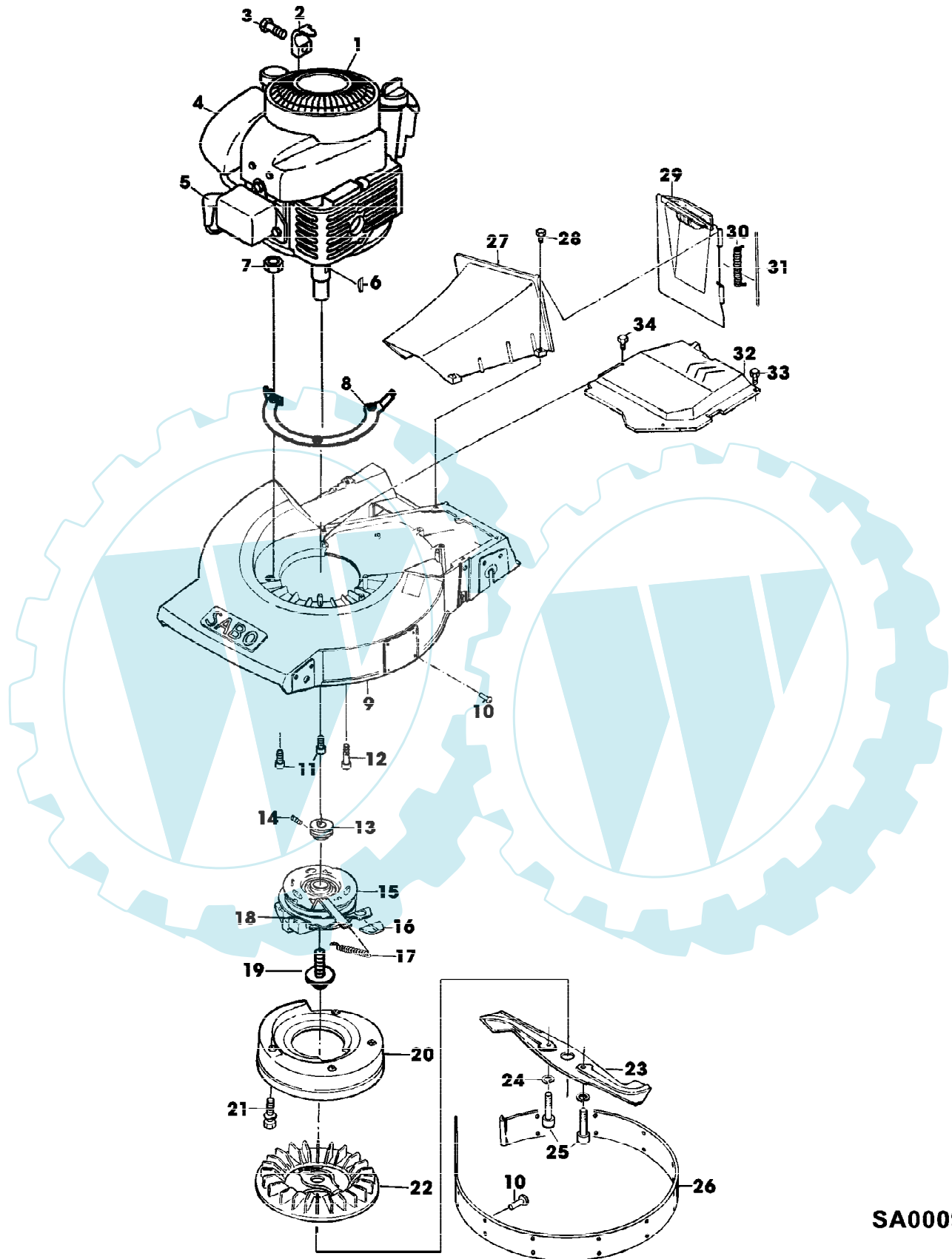
| Reihennummer | Artikelnummer | Menge | Description |
|--------------|---------------|-------|-------------------------|
| 1 | SA34812 | 1 | FUEHRUNG LOW |
| 2 | SA29801 | 2 | HALTER * |
| 3 | SA15332 | 4 | SECHSKANTSCHRAUBE M8X25 |
| 4 | SA35420 | 4 | SCHEIBE 8,4 |
| 5 | SA34838 | 2 | DAEMPFER |
| 6 | SA11998 | 2 | SICHERUNGSMUTTER (A) M8 |
| 7 | SA29744 | 2 | MUTTER M8 |
| 8 | SA15307 | 4 | SECHSKANTSCHRAUBE M8X45 |
| 9 | SA30444 | 8 | SCHEIBE |
| 10 | SA11998 | 4 | SICHERUNGSMUTTER (A) M8 |
| 11 | SA35605 | 1 | LENKSTANGE UP |
| 12 | SA34255 | 2 | STOPFEN |
| 13 | SA34459 | 1 | GRIFF * |
| 14 | SA11244 | 3 | SICHERUNGSMUTTER (A) M6 |
| 15 | SA11243 | 1 | UNTERLEGSCHLEIFE |
| 16 | SA15326 | 1 | SECHSKANTSCHRAUBE M6X35 |
| 17 | SA18334 | 1 | STEUERUNG ASSY |
| 18 | SA15551 | 1 | SCHRAUBE * (A) M6X20 |
| 19 | SA18299 | 1 | SEILZUG |
| 20 | SA12768 | 1 | HEBEL |
| 21 | SA15535 | 4 | SCHRAUBE * M6X30 |
| 22 | SA35611 | 1 | HALTER * RH |
| 23 | SA36138 | 2 | SCHEIBE 10/18/1 |
| 24 | SA35613 | 1 | BUEGEL (C) |
| 25 | SA35997 | 2 | BUECHSE 10X20X15 |
| 26 | SA35203 | 2 | FEDERKLEMMER D10 |
| 27 | SA35896 | 2 | HALTER * PA 10X12X7 |
| 28 | SA35801 | 1 | SEILZUG (B) |
| 29 | SA35610 | 1 | DRUCKKNOPF |
| 30 | SA15876 | 1 | DRUCKFEDER |
| 31 | SA35849 | 1 | SCHRAUBE * M6X35 |
| 32 | SA35614 | 1 | SCHALTUNGSPLATTE |
| 33 | SA15261 | 1 | FEDERSCHLEIFE B12 |
| 34 | SA36053 | 1 | BUEGEL (B) |
| 35 | SA35615 | 1 | HALTER * LH |
| 36 | SA35729 | 1 | SEILZUG (C) |
| 37 | SA16268 | 3 | SCHRAUBE * 4,2X32 |
| 38 | SA33208 | 1 | GEHAEUSE * UP |
| 39 | SA33997 | 1 | STEUERUNG ASSY, LOW |
| 40 | SA33209 | 1 | GEHAEUSE * LOW |
| 41 | SA34001 | 1 | HEBEL |
| 42 | SA33996 | 1 | SEILZUG |
| 43 | SA29774 | 1 | LASCHE |
| 44 | SA17604 | 1 | SCHRAUBE * (A) M5X10 |

(A) WERDEN NUR NOCH IN PACKMENGEN
 GELIEFERT

(B) FUER MESSERBREMSE

(C) FUER FAHRANTRIEB

52-4 PH BC A EDV-NR.SA207 AB 000196
GEHAEUSE, MOTOR, MESSERBALKEN, AUSWURF



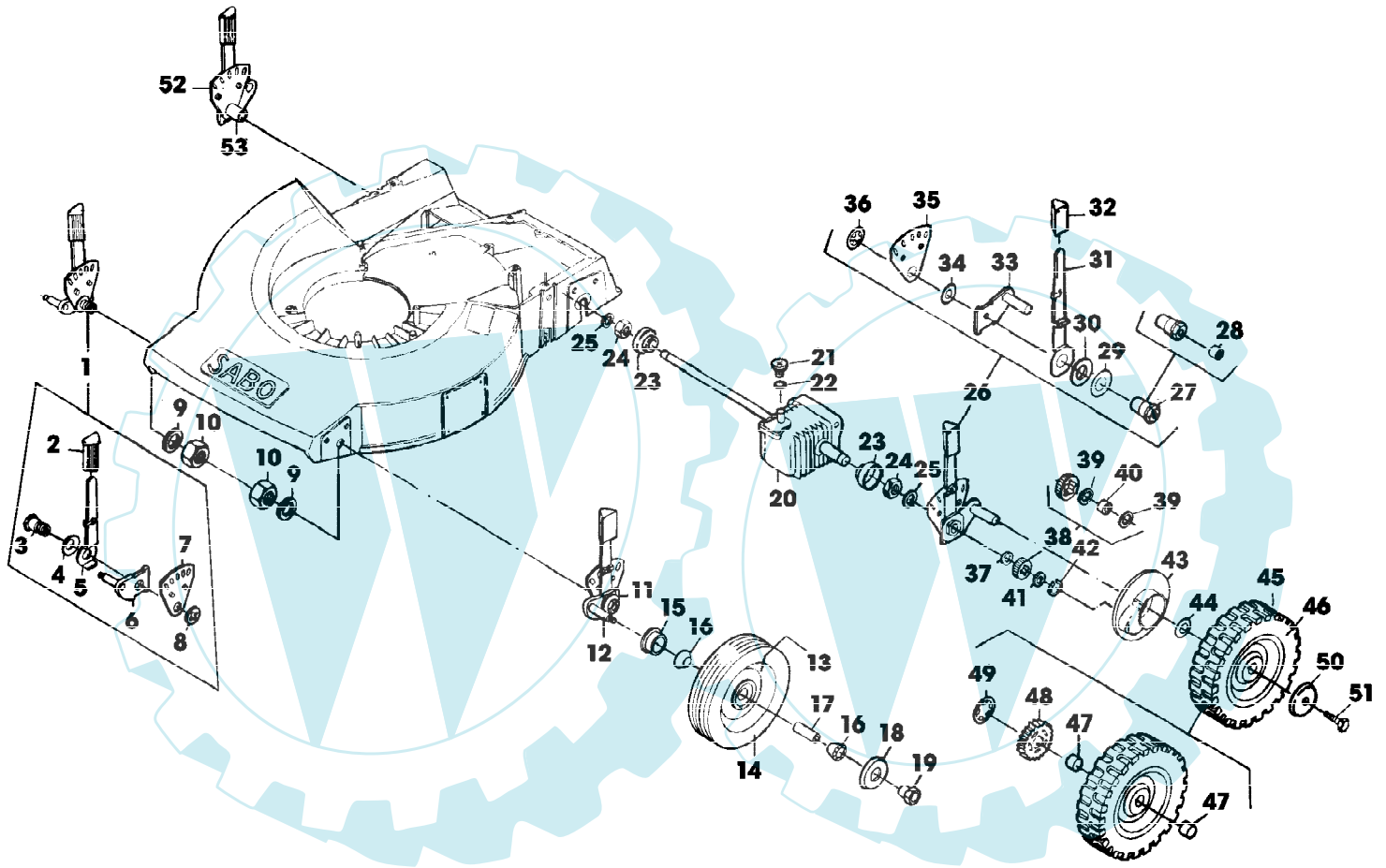
SA000930

52-4 PH BC A EDV-NR.SA207 AB 000196
 GEHAEUSE, MOTOR, MESSERBALKEN, AUSWURF

Page 8 of 11

| Reihennummer | Artikelnummer | Menge | Description |
|--------------|---------------|-------|------------------------------------------------------------------------|
| 1 | SA26827 | 1 | BENZINMOTOR B&S INTEK HF MODEL 121602 TYP 0211 E1 |
| 2 | SA26799 | 1 | KLEMME |
| 3 | SA26798 | 1 | SCHRAUBE * |
| 4 | SA32668 | 1 | VORFILTER |
| | SA32667 | 1 | FILTEREINSATZ |
| 5 | SA26589 | 1 | ZUENDKERZE |
| 6 | SA15967 | 1 | KEIL * 4X6,5 |
| 7 | SA11998 | 3 | SICHERUNGSMUTTER (A) M8 |
| 8 | SA35506 | 1 | PLATTE |
| 9 | SA35932 | 1 | MAEHGEHAEUSE |
| 10 | SA34540 | 18 | NIET (SUB FOR SA11019) |
| 11 | SA15572 | 2 | SCHRAUBE * M8X45 |
| 12 | SA30647 | 1 | SCHRAUBE * M8X75 |
| 13 | SA35597 | 1 | RIEMENSCHLEIBE |
| 14 | SA15776 | 1 | STELLSCHRAUBE M6X16 |
| 15 | GC90029 | 1 | KUPPLUNG ASSY, (SUB FOR SA35504) |
| 16 | SA34958 | 1 | HALTER * |
| 17 | SA34336 | 1 | ZUGFEDER |
| 18 | GC90067 | 1 | KUPPLUNG LOW (SUB FOR SA35980) |
| 19 | SA35095 | 1 | SCHRAUBE * |
| 20 | SA35505 | 1 | LUFTVERTEILERGEHAEUSE |
| 21 | SA29854 | 4 | SCHRAUBE * M5X12 |
| 22 | SA35507 | 1 | LUEFTER |
| 23 | SA35508 | 1 | MESSER |
| 24 | SA15234 | 2 | FEDERRING (A) A10 |
| 25 | SA29691 | 2 | SCHRAUBE * M10X25 10.9 |
| 26 | SA30442 | 1 | SICHERUNGSBLECH |
| 27 | SA30435 | 1 | ROHR * |
| 28 | SA29784 | 3 | SCHRAUBE * M6X20 |
| 29 | SA34613 | 1 | KLAPPE |
| 30 | SA29783 | 1 | FEDER |
| 31 | SA29782 | 1 | STANGE * |
| 32 | SA29804 | 1 | ABDECKUNG |
| 33 | SA29854 | 1 | SCHRAUBE * M5X12 |
| 34 | SA17604 | 2 | SCHRAUBE * (A) M5X10 (A) WERDEN NUR NOCH IN PACKMENGEN GELIEFERT |

52-4 PH BC A EDV-NR.SA207 AB 000196
GETRIEBE, HOEHENVERSTELLUNG, RAEDER



SA000948

52-4 PH BC A EDV-NR.SA207 AB 000196
GETRIEBE, HOEHENVERSTELLUNG, RAEDER

| Preisnummer | Artikelnummer | Menge | Description |
|-------------|---------------|-------|---------------------------------------------------------------------|
| 1 | SA35600 | 1 | HEBEL ASSY, FRONT RH INCL KEYS 2,3,4,5,6,7,8 |
| 2 | SA12748 | 1 | GRIFF * |
| 3 | SA12746 | 1 | BOLZEN |
| 4 | SA12223 | 1 | TELLERFEDER |
| 5 | SA12224 | 1 | HEBEL |
| 6 | SA29779 | 1 | ACHSSCHENKEL FRONT RH |
| 7 | SA12226 | 1 | SEGMENT |
| 8 | SA12227 | 1 | FEDERKLEMME (A) |
| 9 | SA15256 | 2 | FEDERSCHEIBE B20 |
| 10 | SA15431 | 2 | MUTTER BM 20X1,5 |
| 11 | SA35601 | 1 | HEBEL ASSY, FRONT LH INCL KEYS 2,3,4,5,7,8,12 |
| 12 | SA29802 | 1 | ACHSSCHENKEL FRONT LH |
| 13 | SA36550 | 2 | RAD KPL. MIT BEREIFUNG FRONT (SUB FOR SA31470) |
| 14 | SA12807 | 2 | REIFEN * |
| 15 | SA12623 | 2 | KAPPE |
| 16 | SA11251 | 4 | KUGELLAGER |
| 17 | SA12622 | 2 | DISTANZSTUECK |
| 18 | SA31248 | 2 | SCHEIBE |
| 19 | SA12624 | 2 | MUTTER |
| 20 | SA30446 | 1 | GETRIEBE |
| 21 | SA36111 | 1 | SELBSTSICHERNDE SCHRAUBE M6X16 TORX |
| 22 | SA36009 | 1 | SCHEIBE |
| 23 | SA30314 | 2 | KAPPE |
| 24 | SA15431 | 2 | MUTTER BM 20X1,5 |
| 25 | SA15256 | 2 | FEDERSCHEIBE B20 |
| 26 | SA35603 | 1 | HEBEL ASSY, REAR LH, INCL KEYS 27,28,29,30, 31,32,33,34,35,36 |
| 27 | SA35602 | 1 | BOLZEN (ORD SA35598 + SA13921) |
| 28 | SA13921 | 1 | HUELSE |
| 29 | SA30913 | 1 | SCHEIBE |
| 30 | SA12223 | 1 | TELLERFEDER |
| 31 | SA31465 | 1 | HEBEL |
| 32 | SA12748 | 1 | GRIFF * |
| 33 | SA29790 | 1 | ACHSSCHENKEL REAR LH |
| 34 | SA12230 | 1 | SCHEIBE |
| 35 | SA12226 | 1 | SEGMENT |
| 36 | SA12227 | 1 | FEDERKLEMME (A) |
| 37 | SA13911 | 2 | FEDERSCHEIBE (A) |
| 38 | SA35930 | 2 | RITZEL |
| 39 | SA35929 | 4 | SCHEIBE 14X20X1,9 |
| 40 | SA34382 | 2 | MITNEHMER |
| 41 | SA13912 | 4 | SCHEIBE (A) |
| 42 | SA15864 | 2 | SPRENGRING 14X1 |
| 43 | SA29781 | 2 | ABDECKUNG |
| 44 | SA13926 | 2 | SCHEIBE |

52-4 PH BC A EDV-NR.SA207 AB 000196
GETRIEBE, HOEHENVERSTELLUNG, RAEDER

Page 11 of 11

| Preisnummer | Artikelnummer | Menge | Description |
|-------------|---------------|-------|------------------------------------------------------------------------|
| 45 | SA36584 | 2 | RAD KPL. MIT BEREIFUNG ASSY, REAR (SUB FOR SA29769) |
| 46 | SA17694 | 2 | REIFEN * |
| 47 | SA12247 | 4 | HUELSE |
| 48 | SA29747 | 2 | RITZEL |
| 49 | SA13922 | 2 | FEDERMUTTER (A) |
| 50 | SA12248 | 2 | SCHEIBE |
| 51 | SA15322 | 2 | SECHSKANTSCHRAUBE M6X16 |
| 52 | SA35599 | 1 | HEBEL ASSY, REAR RH, INCL KEYS 27,28,29,30, 31,32,34,35,36,53 |
| 53 | SA29791 | 1 | ACHSSCHENKEL REAR RH (A) WERDEN NUR NOCH IN PACKMENGEN GELIEFERT |

